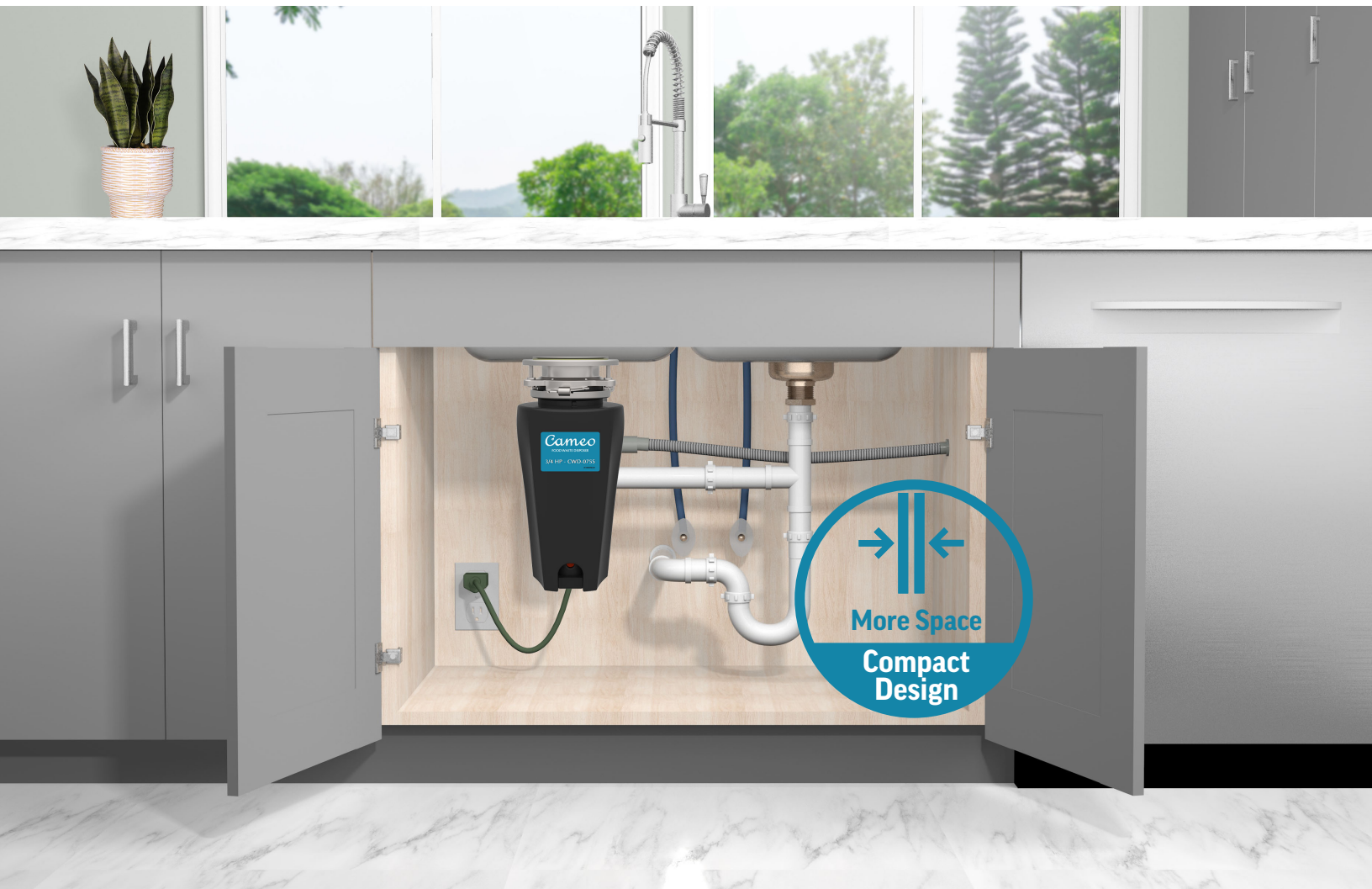


# Cameo

## FOOD WASTE DISPOSERS



**LIFETIME WARRANTY AGAINST FAILURE DUE TO CORROSION**



### Bio Shield® Antimicrobial

provides protection against bacteria-caused odors. Bio Shield® is a unique antimicrobial agent, permanently molded into the “wet” components of the garbage disposer to help eliminate bacteria-caused odors. It also inhibits the growth of a wide range of micro-organisms. Take control of the bacteria and you take care of odor. Helps to prevent disposal odor before it can begin.



### Attached Power Cord & Plug

This disposer comes with a preinstalled 34 inch power cord and plug. No wiring required.



### Quiet Operation

This disposer has a fully insulated sound shell for quiet operation.



### The Torque Master® Balanced Grinding System

is a combination of computer designed and balanced components working in unison to provide superior torque grind speed and long system life.



### Load Smart Grind

Due to the high speed and torque (twisting power) of the permanent magnet motor, most potential jams are eliminated. The motor reaches full torque on the initial revolution, therefore avoiding the jamming situations.



### Removable Splash Guard

#### Reduces Odors

With the removable splash guard, it is very easy to lift out and clean the splash guard. Bad odors often arise from a disposer when bacteria growth in the ground food waste accumulates under the splash guard. When consumers own a disposer without a removable splash guard, they are usually unaware that offensive odors are caused by the collection of food particles under the splash guard itself. They might discover this only if, for some reason, they stick their hand in the disposer and wipe the bottom of the splash guard with the back of their hand as they pull it out.

#### Easily Locate and Remove Fallen Items

If an item (i.e., ring, bottle cap, utensil, etc.) falls into the competitors' disposer, the item is difficult to locate and take out since the splash guard cannot be removed through the top. With the removable splash guard finding and removing dropped items is a very easy step.

#### Easy Insertion of a Large Volume of Food

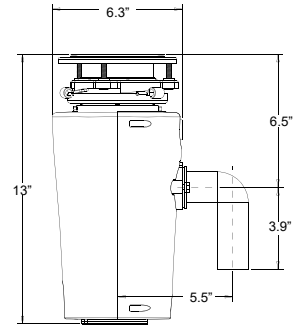
With the removable splash guard, the user has the option to remove the splash guard and utilize the larger hole for large batches of food waste.



**CWD-033S**  
1/3 HP  
2400 RPM



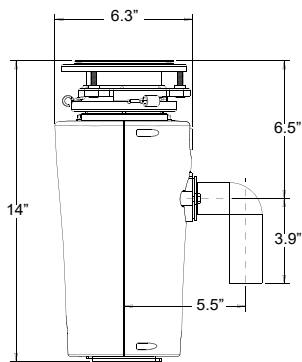
**CWD-050S**  
1/2 HP  
2600 RPM



**CWD-075S**  
3/4 HP  
2700 RPM

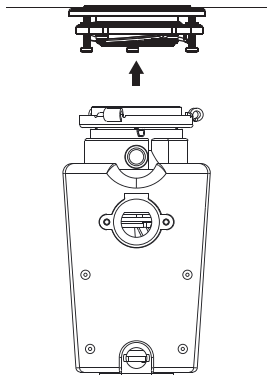


**CWD-125S**  
1 1/4 HP  
2800 RPM



### 3-Bolt Mounting System

Makes it easy to install a “change-out” on existing 3-Bolt installations.



All disposers have stainless-steel grinding chamber parts (turntable, swivel impellers, and the grind ring) which makes it corrosion proof. We therefore can offer a lifetime guarantee against failure due to corrosion.

FOR MORE INFORMATION CALL: 1- 888-856-6322 (Toll-Free)

M-F 8:00am-5:00pm PST English & Spanish